

# OAW-AP120 Series AP Mounting Kit

## Installation Guide

The OAW-AP120 series mounting kit provides additional mounting options for the OAW-AP120 series wireless access points. The mounting kit includes the following items:

- Adapter for 15/16-inch (2.4-cm) ceiling tile rails. Use this adapter to mount the AP on rails that are recessed above the surface of the ceiling tile.
- Adapter for 9/16-inch (1.4 cm) ceiling tile rails. Use this adapter to adapt the integrated mounting slots to narrower rails (recessed or flush)
- Desk stand. Use the desk stand to support the AP on a desk or shelf.

This installation note describes how to attach and use the ceiling mount adapters and desk stand.

For complete information about selecting the location and setting up the AP, see the *Alcatel OAW-AP120 Series Indoor Access Point Installation Guide*.

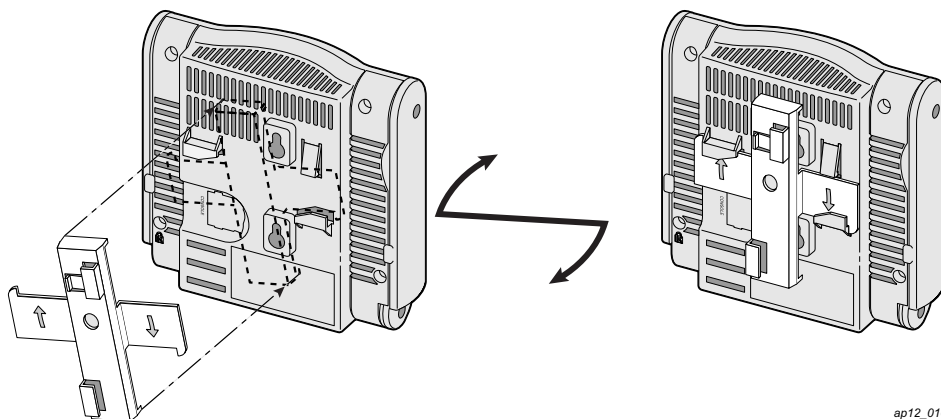
### Using a Ceiling Rail Adapter

The OAW-AP120 series enclosure provides integrated guide slots that are designed to snap onto a standard, non-recessed 15/16-inch (1.4 cm) ceiling tile rail; the optional mounting kit is not required for this installation. The mounting kit includes adapters that allow you to mount the OAW-AP120 series unit on a recessed or non-recessed standard 9/16-inch (1.4 cm) rail or on a recessed standard 15/16-inch (1.4 cm) rail

To attach either ceiling rail adapter to the OAW-AP120 series access point:

1. Place the adapter against the back of the AP with the adapter at an angle of approximately 30 degrees to the slot guides (see [Figure 1](#)).
2. Twist the adapter clockwise until it snaps into place in the slot guides (see [Figure 1](#))

**Figure 1** Attaching the Ceiling Mount Adapter



ap12\_010

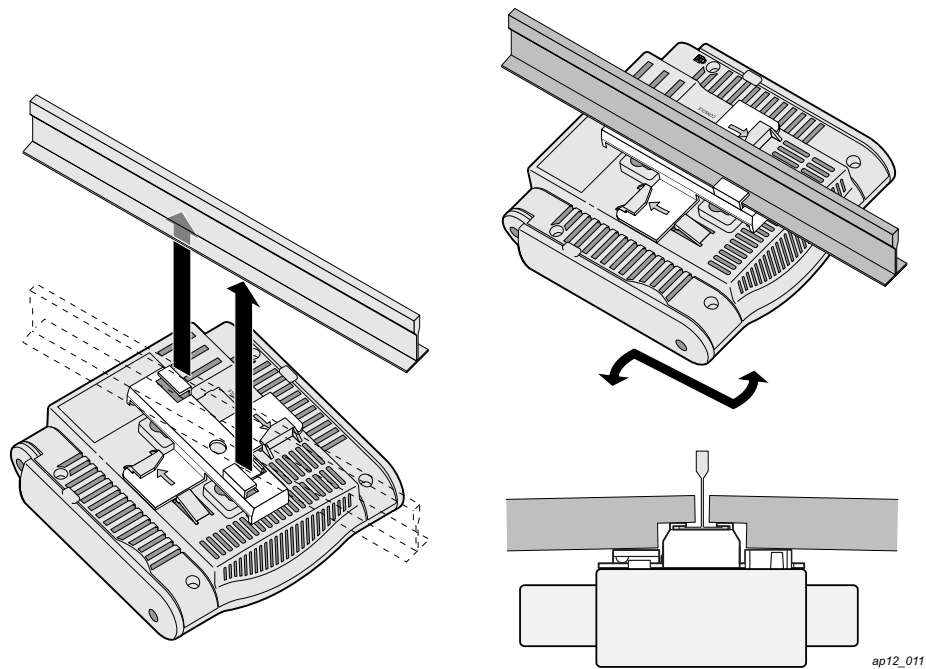
After the adapter is attached to the AP, mount the AP on a ceiling tile rail as follows:

1. Align the AP with a ceiling tile rail, placing the AP so that the mounting slot guides on the adapter are at an angle of approximately 30 degrees to the ceiling tile rail (see [Figure 2](#)).

Make sure that slack in connected cables is above the ceiling tiles.

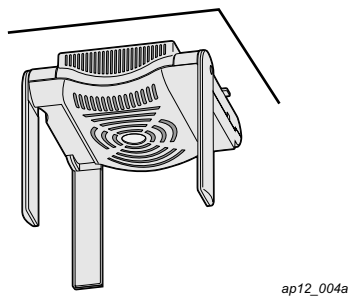
2. Pushing toward the ceiling tile, rotate the AP clockwise until it clicks into place on the ceiling tile rail (see [Figure 2](#)).

**Figure 2** *Mounting the AP*



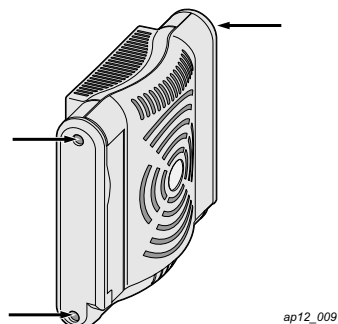
3. On the OAW-AP121 or OAW-AP125, extend the antennas. For best results, rotate the antennas so that they are vertical (perpendicular to the body of the AP), as shown in [Figure 3](#).

**Figure 3** *Antenna Orientation on the OAW-AP121/OAW-AP125*



On the OAW-AP120 or OAW-AP124, install the external antennas according to the manufacturer's instructions, and connect the antennas to the antenna interfaces on the AP (see [Figure 4](#)).

**Figure 4** *Antenna Interfaces on the OAW-AP120/OAW-AP124*

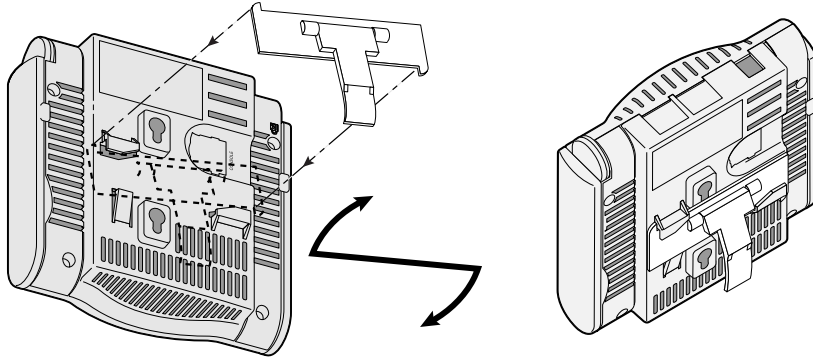


## Using the Desk Stand

To use the desk stand:

1. Attach the desk stand to the AP as follows:
  - a. Place the desk stand against the back of the AP, with the hinged support leg pointing away from the console port (see [Figure 5](#)). Hold the desk stand so that the base plate is at an angle of approximately 30 degrees to the slot guides.

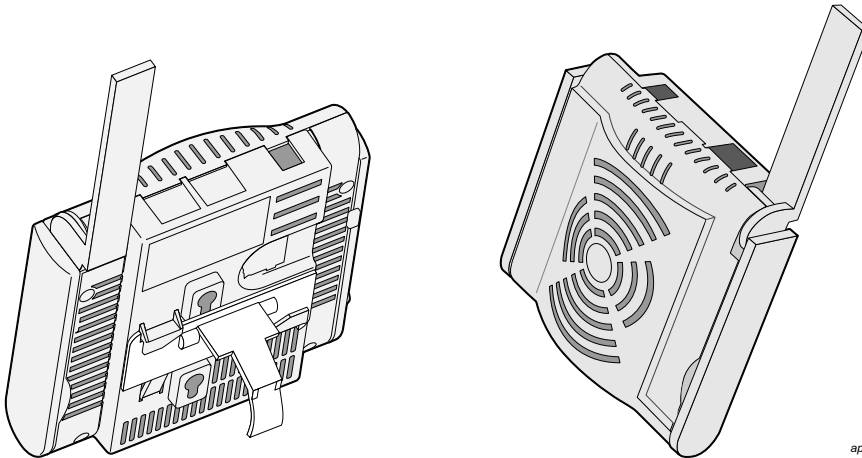
**Figure 5** Attaching a Desk Stand



ap12\_012

- b. Twist the desk stand clockwise until it snaps into place in the slot guides.
2. Extend the hinged support leg and set the AP on a level surface (see [Figure 6](#)). Verify that the model number on the front of the unit is upside down and that the Ethernet ports and power connector are accessible at the top of the unit.
  3. On the OAW-AP121 or OAW-AP125, extend the antennas. For best results, rotate the antennas so that they are in the positions shown in [Figure 6](#).

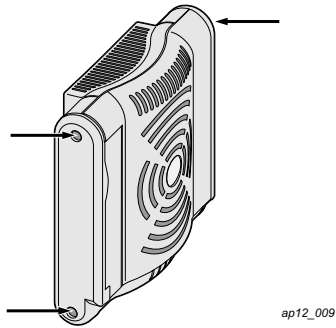
**Figure 6** Antenna Orientation for a Desk-Mounted OAW-AP121 or OAW-AP125



ap12\_013

On the OAW-AP120 or OAW-AP124, install the external antennas according to the manufacturer's instructions, and connect the antennas to the antenna interfaces on the AP (see [Figure 7](#)).

**Figure 7** *Antenna Interfaces on the OAW-AP120/OAW-AP124*



## Contacting Alcatel-Lucent

Web Site Support	
Main Site	<a href="http://www.alcatel-lucent.com/enterprise">http://www.alcatel-lucent.com/enterprise</a>
Support Site	<a href="https://service.esd.alcatel-lucent.com">https://service.esd.alcatel-lucent.com</a>
Support Email	<a href="mailto:support@ind.alcatel.com">support@ind.alcatel.com</a>

Telephone Support	
North America	1-800-995-2696
Latin America	1-877-919-9526
Europe	+33 (0) 38 85 56 92 9
Asia Pacific	+65 6240 8484
Worldwide	1-818-878-4507